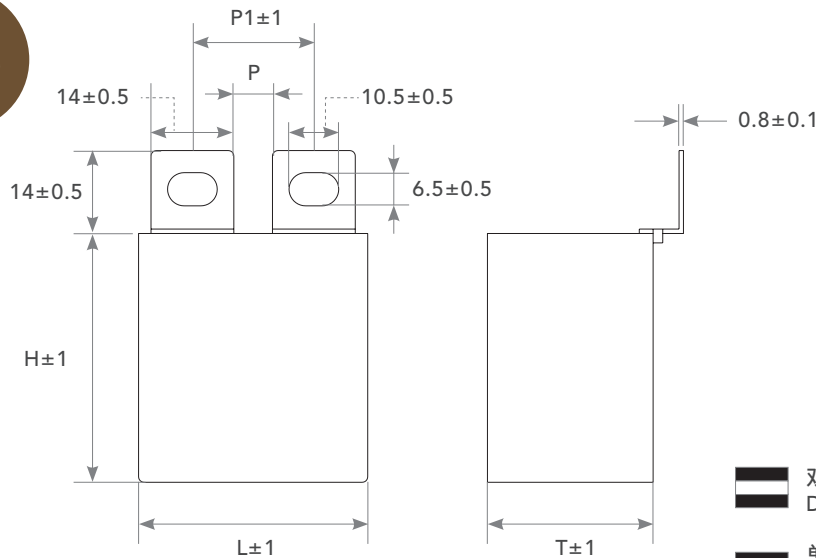


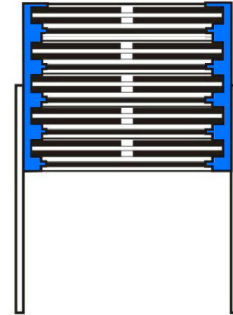
金属化聚丙烯薄膜电容(MPIS)吸收电容

METALLIZED POLYPROPYLENE FILM CAPACITOR-RADIAL (MPIS) SNUBBER

MPIS



W: 42.5 mm P1: 21~27 mm



- 双面金属化聚酯薄膜
Double Side Metallized Polypropylene Film
- 单面金属化聚丙烯薄膜
Metallized Polypropylene Film
- 金属喷涂层
Metal Spray Layer
- 连接線
Connecting Wire

结构 Construction:

- 电介质: 金属化聚丙烯薄膜
Dielectric: Metallized Polypropylene Film
- 结构: 加长双端面金属化载体膜, 内部串联和金属化膜
Construction: Extended double side metallized carrier film with internal series connection and metallized film
- 接线端子: 用于螺钉固定的镀锡铜耳(无铅)
Terminals: Tinned copper lugs (lead-free) for screw fixing
- 外层: 阻燃塑胶外壳, 环氧树脂填充
Outer Coating: Flame retarding plastic case and epoxy filled

特点 Feature:

- 高电压、大电流
High voltage, High current
- 良好的自愈性
Self-healing properties
- 低电阻
Low ESR

推荐应用 Recommended Application:

- 直接安装在IGBT模組上
Direct mount on IGBT modules
- 变频器
Frequency converters
- 电动机驱动器
Motor drives
- 光伏和风力逆变器
Photovoltaic and wind inverters

电气特性 Electrical Characteristics:

引用标准 Related Documents	IEC 61071/60068
额定电压 Rated Voltage	850, 1000, 1200, 1600, 2000 VDC
额定温度 Rated Temperature	-40°C ~ +85°C
最大运行温度(外壳) Maximum Operating Temperature(Case)	105°C Derating ratio of rated voltage to +85°C ~ +105°C: 1.25% per °C for Rated Voltage
容量范围 Capacitance Range	0.1 μF ~ 2.5 μF
容量误差 Capacitance Tolerance	±5% (J), ±10% (K)
绝缘电阻 Insulation Resistance	Terminal to Terminal: (at 20°C ±5°C), Voltage charge time: 1 minute. Voltage: 100VDC ≥ 100,000MΩ For C ≤ 0.33μF, ≥ 30,000s For C > 0.33μF
耐压 Withstand Voltage	Terminal to Terminal: (at 20°C ±5°C) 1.6 × UR (DC) applied for 10sec. / 2 × UR (DC) applied for 2sec.
损耗角正切 Dissipation Factor	≤ 0.0005 (at 1 KHz)

V_{NDC} = 850VDC, V_{AC} = 500VAC

Cap (μF)	V _{NDC}	Dimensions (mm)			dv/dt V/μs	I _{PEAK} A	ESR 100Khz mΩ	I _{rms} 100Khz A	料号 Part Number
		W	H	T					
0.82	850	42.5	27.5	24.5	750	615	7.0	15	MPIS824J0850D20814-A
1.0	850	42.5	27.5	24.5	750	750	6.5	17	MPIS105J0850D20814-A
1.5	850	42.5	35.5	33.5	750	1125	5.5	22	MPIS155J0850D20814-A
2.0	850	42.5	45	33	750	1500	5.5	26	MPIS205J0850D20814-A
2.5	850	42.5	45	33	750	1875	5.0	27	MPIS255J0850D20814-A

V_{NDC} = 1000VDC, V_{AC} = 550VAC

Cap (μF)	V _{NDC}	Dimensions (mm)			dv/dt V/μs	I _{PEAK} A	ESR 100Khz mΩ	I _{rms} 100Khz A	料号 Part Number
		W	H	T					
0.47	1000	42.5	27.5	24.5	850	399.5	7.5	14	MPIS474J1000D20814-A
0.68	1000	42.5	27.5	24.5	850	578	6.0	16	MPIS684J1000D20814-A
0.82	1000	42.5	27.5	24.5	850	697	6.0	18	MPIS824J1000D20814-A
1.0	1000	42.5	35.5	33.5	850	850	5.5	19	MPIS105J1000D20814-A
1.2	1000	42.5	35.5	33.5	850	1020	5.0	21	MPIS125J1000D20814-A
1.5	1000	42.5	35.5	33.5	850	1275	5.0	22	MPIS155J1000D20814-A
2.0	1000	42.5	45	33	850	1700	5.0	23	MPIS205J1000D20814-A
2.2	1000	42.5	45	33	850	1870	5.0	23	MPIS225J1000D20814-A
2.5	1000	42.5	45	33	850	2125	4.5	24	MPIS255J1000D20814-A

$V_{NDC} = 1200VDC, V_{AC} = 630VAC$

Cap (μF)	V_{NDC}	Dimensions (mm)			dv/dt V/ μs	I_{PEAK} A	ESR 100Khz m Ω	Irms 100Khz A	料号 Part Number
		W	H	T					
0.33	1200	42.5	27.5	24.5	1000	330	8	12	MPIS334J1200D20814-A
0.47	1200	42.5	27.5	24.5	1000	470	7	14	MPIS474J1200D20814-A
0.68	1200	42.5	35.5	33.5	1000	680	6	18	MPIS684J1200D20814-A
0.82	1200	42.5	35.5	33.5	1000	820	5.5	20	MPIS824J1200D20814-A
1.0	1200	42.5	35.5	33.5	1000	1000	5	21	MPIS105J1200D20814-A
1.2	1200	42.5	35.5	33.5	1000	1200	5	22	MPIS125J1200D20814-A
1.5	1200	42.5	45	33	1000	1500	4.5	26	MPIS155J1200D20814-A

$V_{NDC} = 1600VDC, V_{AC} = 650VAC$

Cap (μF)	V_{NDC}	Dimensions (mm)			dv/dt V/ μs	I_{PEAK} A	ESR 100Khz m Ω	Irms 100Khz A	料号 Part Number
		W	H	T					
0.33	1600	42.5	27.5	24.5	1200	396	8	13	MPIS334J1600D20814-A
0.47	1600	42.5	27.5	24.5	1200	564	7	15	MPIS474J1600D20814-A
0.68	1600	42.5	35.5	33.5	1200	816	6	18	MPIS684J1600D20814-A
0.82	1600	42.5	35.5	33.5	1200	984	5.5	20	MPIS824J1600D20814-A
1.0	1600	42.5	45	33	1200	1200	5	22	MPIS105J1600D20814-A

$V_{NDC} = 2000VDC, V_{AC} = 700VAC$

Cap (μF)	V_{NDC}	Dimensions (mm)			dv/dt V/ μs	I_{PEAK} A	ESR 100Khz m Ω	Irms 100Khz A	料号 Part Number
		W	H	T					
0.1	2000	42.5	27.5	24.5	1600	160	20	8	MPIS104J2000D20814-A
0.15	2000	42.5	27.5	24.5	1600	240	15	10	MPIS154J2000D20814-A
0.22	2000	42.5	27.5	24.5	1600	352	10	12	MPIS224J2000D20814-A
0.33	2000	42.5	27.5	24.5	1600	528	8	13	MPIS334J2000D20814-A
0.47	2000	42.5	35.5	33.5	1600	752	7	16	MPIS474J2000D20814-A
0.68	2000	42.5	35.5	33.5	1600	1088	6	18	MPIS684J2000D20814-A
0.82	2000	42.5	45	33	1600	1312	5.5	21	MPIS824J2000D20814-A
1.0	2000	42.5	45	33	1600	1600	5	22	MPIS105J2000D20814-A

单击下面可查看定价，库存，交付和生命周期等信息

[>>HJC\(华容\)](#)